



**Simple dial set timer  
...Multiple time ranges  
and versatile functions**



A unique combination of versatility and simplicity make the Eagle Signal brand B846 the premiere low cost timing solution. Housed in a compact 1/16 DIN package, changing the set time is as simple as turning a dial.

Selectable time ranges provide preset times ranging from 0.06 seconds to 10 hours. The B846 is also field configurable to operate in On-Delay, Off-Delay, Interval, or Repeat Cycle timing modes.

A unique On-Delay/Interval model lets the B846 perform two timing functions in one compact unit. In addition to working as an On-Delay timer, an independent output interval time is provided. The output interval can be set to one of eight time values through DIP switches located on the side of the unit.

An industry standard 11 pin socket connection simplifies wiring and makes replacing existing units quick and easy. The unit can be DIN rail mounted, or with optional hardware, panel mounted. Multiple time ranges allow settings from 0.06 seconds to 10 hours

- Field selectable for operation in On-Delay, Off-Delay, Interval, or Repeat Cycle modes
- Universal power supply accepts 24 - 240 VAC or 24 VDC
- Meets IEC 801 level 4 noise immunity standards
- Unique On-Delay/Interval model lets one unit do the work of two in many applications
- Industry standard socket connection
- Front panel or DIN rail mounting
- Flexible start and reset input signals
- UL, CUL recognized, CE marked
- NEMA 4/IP65 rated front panel

Harsh industrial environments are no problem for the B846... its NEMA 4 front panel and IEC 801 level 4 noise immunity rating give this unit the strength to survive in the toughest conditions. A universal power supply meets global requirements for 24 - 240 VAC or 24 VDC operation.

## SPECIFICATIONS

### Inputs:

- Start (B846-500/100):** NPN or Dry Contact
- Reset (B846-500/100):** NPN or Dry Contact

### Outputs:

- Timed (B846-500/100):** DPDT - 5 amp
- Timed (B846-511):** SPDT - 5 amp
- Instantaneous (B846 -511):** SPDT - 5 amp

### Physical:

- Dimensions:** 48mm x 48mm, 85mm deep
- Mount:** Panel Mounting in 45 x 45 cutout, or DIN rail
- Wiring Connection:** Via 11 pin (B846-500/100) or 8 pin (B846-511) plug-in socket

### Operation:

- Supply Voltage:** 24 - 240 VAC 50/60Hz, and 24 VDC
- Power Consumption:** < 10 VA
- Time Ranges:** Field Selectable 1, 10 Seconds; 1, 10 Minutes; 1, 10 Hours
- Operating Modes:** On-Delay, Off-Delay, Interval, Repeat Cycle (B846-500/511), On-Delay Interval (B846-100)
- Setting Accuracy:**  $\pm 5\%$
- Repeat Accuracy:**  $\pm 0.5\%$
- Electrical Service Life:** 100,000 cycles at full load
- Mechanical Service Life:** 10 million cycles at min. load

### Environmental:

- Front Panel Rating:** NEMA 4/IP65
- Operating Temperature:** 0° to 55° C (32° to 131° F)
- Storage Temperature:** -40° to 90° C (-40° to 194° F)
- Humidity:** 5% to 95% RH non-condensing
- Weight:** 100 grams (3.5 ounces)

### Approvals:

- B846-100, -500:** UL, CUL recognized, CE marked
- B846-511:** UL, CUL recognized

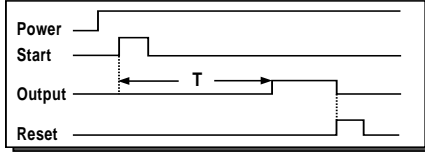
# EAGLE SIGNAL brand

Electronic Timers

## OPERATING MODES

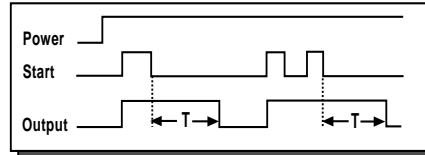
### On-Delay

Timing begins on the leading edge of the start input. The output will activate at the completion of the preset time (T) and will remain active until the reset signal is applied or power is interrupted.



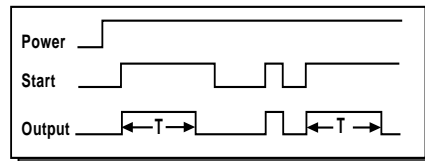
### Off-Delay

The output is activated at the leading edge of the start signal. Timing begins on the trailing edge. The output will remain active until the preset time (T) has elapsed or power is interrupted. Reapplying the start signal before T has elapsed will reset the time value. The reset input is not used.



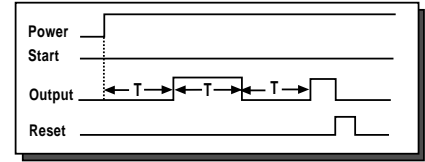
### Interval

On the leading of the start input, the output is activated and timing begins. The output will remain active until the preset time (T) has elapsed or power is interrupted. Removal of the start signal will also cause the output to be deactivated and the time value reset. The reset input is not used.



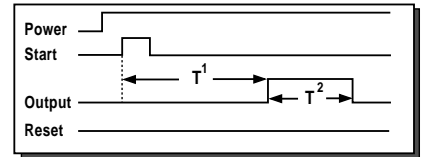
### Repeat Cycle

Timing begins upon application of power. A cycle is initiated where the output will be OFF for the preset time (T), then ON for the preset time. This cycle will continue until a reset signal is applied or power is interrupted. If the start signal is present upon power-up, the cycle will be inverted with the ON phase preceding the OFF phase.

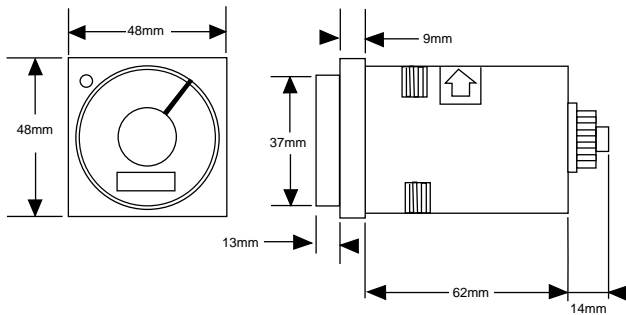


### On-Delay/Interval

Timing begins on the leading edge of the start signal. The output turns ON when the delay preset time (T1) has elapsed. The output remains ON for the duration of the interval time (T2), then turns OFF. Interval times (T2) of 0.5, 1.0, 1.25, 2.0, 2.5, 4.0, 5.0, or 10.0 seconds may be selected.



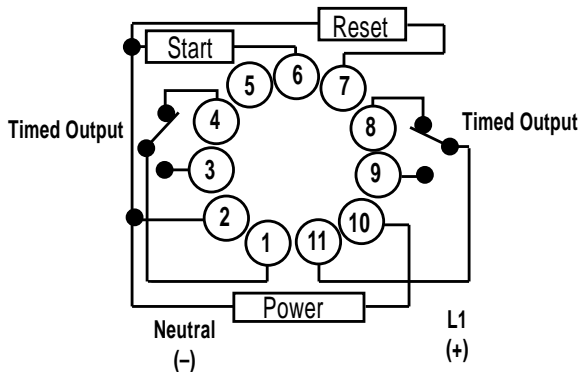
## Dimensions:



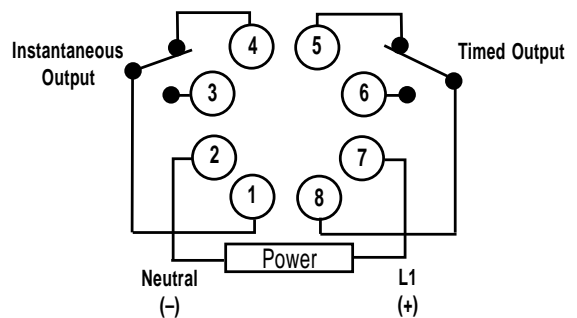
## ORDERING INFORMATION

Description	Model
Multi-Function Timer	B846-500
As Above w/Instant Contacts	B846-511
With On-Delay/Interval Timer	B846-100
Accessories	
Mounting Bracket & Locking Ring	B846-A30
8 Pin Socket	60SR2P06
11 Pin Socket	60SR3P06

## Wiring Connections



B846-500 and B856-100



B846-511