



*Low profile surface
mount reset timer...
features fast reset
cycle and models for
11 time ranges*



The BR1 has an enclosed construction with front facing dial and knob.

- Heavy duty terminal block with 9 screw terminals that readily accept 16 gauge wire (commonly used in industrial circuit wiring)
- Injection molded Lexan® case (Lexan® is recognized by UL for use as sole support of current carrying components)
- Lexan® case is self-extinguishing, has high impact strength, and has high dimensional stability

OPERATION

The BR series reset timers are synchronous motor driven. They provide an accurate adjustable time delay between the actuation of the control circuit and the operation of the load switches.

"On Delay" or "Reverse Start" timing is achieved through the use of an external clutch drive mechanism, usually not available on timers in the BR price category, that replaces the former "gear shift motor" drive. This clutch drive provides much faster reset times, longer time ranges, and substantially longer motor life. The instantaneous contact operates directly with the clutch and closes instantly when the clutch is energized, remaining closed until the clutch is deenergized. This instantaneous contact allows the BR timer to be used in a much greater number of control circuit configurations than any other timer in its class.

SPECIFICATIONS

Time Ranges:

Sym.	Maximum Setting	Minimum Setting	Dial Mark Divisions
1	5 Sec.	.15 Sec.	1/4 Sec.
3	15 Sec.	.45 Sec.	1 Sec.
4	30 Sec.	.9 Sec.	2 Sec.
5	60 Sec.	1.8 Sec.	2 Sec.
6	150 Sec.	4.5 Sec.	5 Sec.
7	5 Min.	9 Sec.	15 Sec.
8	10 Min.	18 Sec.	30 Sec.
9	30 Min.	54 Sec.	2 Min.
10	60 Min.	1.8 Min.	2 Min.
11	5 Hr.	9 Min.	15 Min.
12	10 Hr.	21.6 Min.	30 Min.

Repeatability: Typical $\pm 3/4\%$ of full scale

Reset Time: 200 ms

Voltage/Frequency: 120V (+10, -15%), 50/60 Hz
240V (+10, -15%), 50/60 Hz

Burden: Motor: 3 W
Clutch: 4 VA

Output Rating: 10 amp, 1/4 HP, 120/240 VAC
1/2 amp, 125 VDC
1/4 amp, 240 VDC

Power On Response: 30 ms clutch pull-in
4 ms drop-out

Temperature Range: -10° to 140°F (-23° to +60°C)

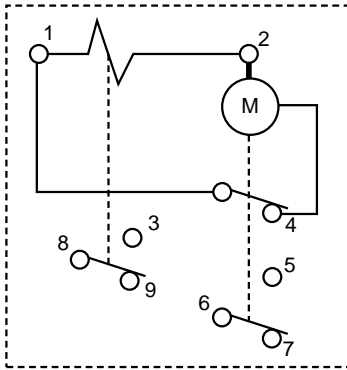
Dial Setting Accuracy: 2% of full scale

Minimum Setting: 3% of full scale

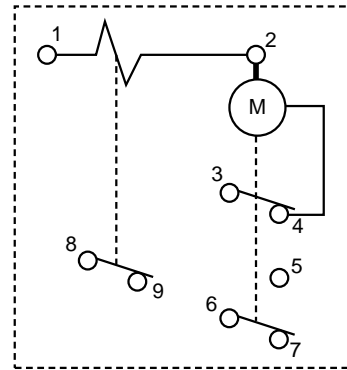
Agency Approvals: UL Recognition E61735
CSA Certification LR27967
FM Approval 21038

OPERATION

Standard Start

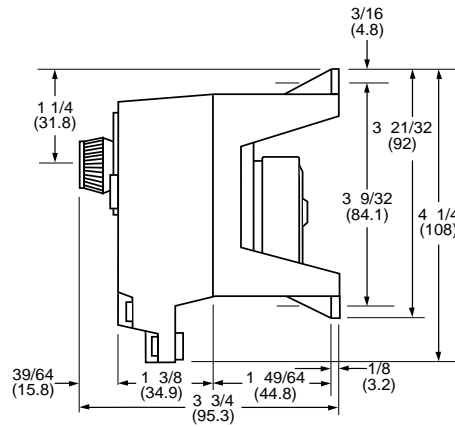
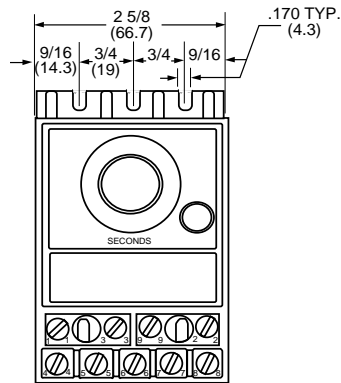


Reverse Start



MOUNTING

BR dimensions enclosed construction with 9 position terminal block.



ENCLOSURES

Model No.	Description
1701-0893	NEMA 1 (General Purpose)

ACCESSORIES

Model No.	Description
HP50-103	120 VAC, 50/60 Hz Repeat Cycle Kit
HP50-105	240 VAC, 50/60 Hz Repeat Cycle Kit

ORDERING INFORMATION

BR **1** **5** **A6** **01**

Sym.	Description
1	Surface mounted with dial knob and 9 point screw type terminal block

FEATURES

Sym.	Description
Blank	Standard Timer
01	Reverse Start
03	No Instantaneous Contact
10	With Pilot Light

TIME RANGE

Sym.	Description	Sym.	Description
1	5 Sec.*	8	10 Min.
3	15 Sec.	9	30 Min.
4	30 Sec.	10	60 Min.
5	60 Sec.	11	5 Hr.
6	150 Sec.	12	10 Hr.
7	5 Min.		

VOLTAGE & FREQUENCY

Sym.	Description
A6	120V, 50/60 Hz
B6	240V, 50/60 Hz

*Not available in B6 version