

*Surface mount with  
minimal height... knob  
adjustment for  
set-and-forget  
convenience*



The BR2 reset timer's timing adjustment is done by a fluted, friction knob, calibrated in six equal unnumbered graduations. Decrease (-) and increase (+) are molded into the frame as reference.

- 11 relay style 3/16 inch quick connect terminals on a molded phenolic terminal block
- Injection molded Lexan® frame (Lexan® is recognized by UL for use as sole support of current carrying components)
- Lexan® frame is self-extinguishing, has high impact strength, and has high dimensional stability

## OPERATION

The BR2 series reset timers are synchronous motor driven. They provide an accurate adjustable time delay between the actuation of the control circuit and the operation of the load switches.

"On Delay" or "Reverse Start" timing is achieved through the use of an external clutch drive mechanism, usually not available on timers in the BR price category, that replaces the former "gear shift motor" drive. This clutch drive provides much faster reset times, longer time ranges, and substantially longer motor life. The instantaneous contact operates directly with the clutch and closes instantly when the clutch is energized, remaining closed until the clutch is deenergized. This instantaneous contact allows the BR timer to be used in a much greater number of control circuit configurations than any other timer in its class.

## SPECIFICATIONS

### Time Ranges:

Sym.	Maximum Setting	Minimum Setting
1	5 Sec.	.15 Sec.
3	15 Sec.	.45 Sec.
4	30 Sec.	.9 Sec.
5	60 Sec.	1.8 Sec.
6	150 Sec.	4.5 Sec.
7	5 Min.	9 Sec.
8	10 Min.	18 Sec.
9	30 Min.	54 Sec.
10	60 Min.	1.8 Min.

**Repeatability:** Typical  $\pm 3/4\%$  of full scale

**Reset Time:** 200 ms

**Voltage/Frequency:** 120V (+10, -15%), 50/60 Hz  
240V (+10, -15%), 50/60 Hz

**Burden:** Motor: 3 W  
Clutch: 4 VA

**Output Rating:** 10 amp, 1/4 HP, 120/240 VAC  
1/2 amp, 125 VDC  
1/4 amp, 240 VDC

**Power On Response:** 30 ms clutch pull-in  
4 ms drop-out

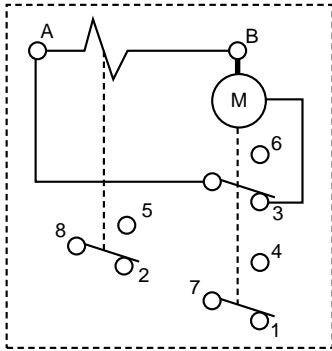
**Temperature Range:** -10° to 140°F (-23° to +60°C)

**Minimum Setting:** 3% of full scale

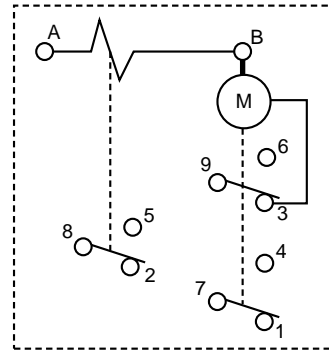
**Agency Approvals:** UL Recognition E61735  
CSA Certification LR27967  
FM Approval 21038

# OPERATION

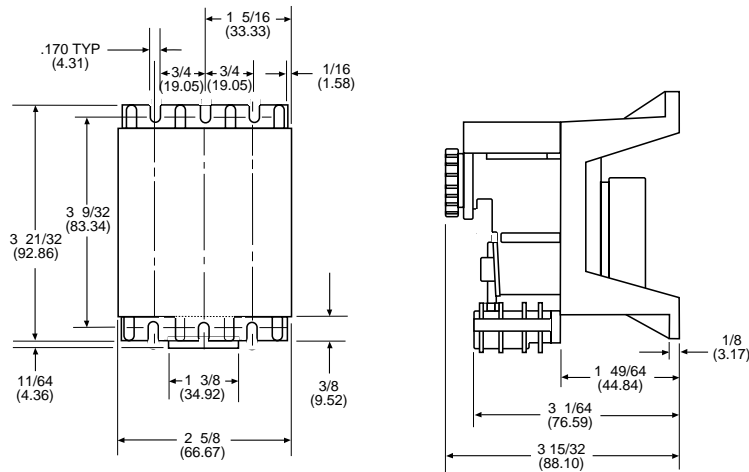
## On Delay



## Reverse Start



# MOUNTING



# ENCLOSURES

Model No.	Description
1701-0893	NEMA 1 (General Purpose)

# ACCESSORIES

Model No.	Description
HP50-103	120 VAC, 50/60 Hz Repeat Cycle Kit
HP50-105	240 VAC, 50/60 Hz Repeat Cycle Kit

# ORDERING INFORMATION

**BR**      **2**      **5**      **A6**      **01**

Sym.	Description
2	Without dial - With 11 point terminal block with 3/16 inch Q.C. terminals

## FEATURES

Sym.	Description
Blank	Standard Timer
01	Reverse Clutch
03	No Instantaneous Contact

## TIME RANGE

Sym.	Description	Sym.	Description
1	5 Sec.*	7	5 Min.
3	15 Sec.	8	10 Min.
4	30 Sec.	9	30 Min.
5	60 Sec.	10	60 Min.
6	150 Sec.		

\*Not available in B6 version

## VOLTAGE & FREQUENCY

Sym.	Description
A6	120V, 50/60 Hz
B6	240V, 50/60 Hz