



Bright LED display, 4 digit thumbwheel setpoint... in CYCL-FLEX® plug-in case

The CT53 series timer is a microprocessor based timer housed in a standard 15 terminal CYCL-FLEX® plug-in case. The plug-in case allows easy removal for programming changes and replacement. The CT53 series directly replaces previous model Eagle Signal brand CT5 series timers. The revised CT53 model includes several new switch programmed options that expand the capabilities of the unit as well as simplify wiring.

The switch programmed options include:

- Four time ranges from 99.99 seconds to 99 hours: 99 minutes
- Four operating modes for the programmed set of relay contacts
- Cycle progress display either DOWN from the setpoint to zero or UP from zero to the setpoint
- STANDARD START OPERATION: Close start switch to time, open start switch to reset; or REVERSE START OPERATION: Open start switch to time, close start switch to reset

The CT53 series timer is available with or without cycle progress display. The CT531 version has a .3 inch high, four digit LED display. The CT530 version does not have a digital cycle progress display. Both versions have an LED indicator in the lower left hand corner of the front panel that indicates when the timer is in the timing cycle.

All models of the CT53 series have 7 amp socket mounted relays for output functions.

SPECIFICATIONS

Operating Voltage/Frequency: A6 - 120 VAC, 50/60 Hz
B6 - 240 VAC, 50/60 Hz

Setting Accuracy: 0.01% of setting or 35 ms, whichever is larger

Repeat Accuracy: 0.01% of setting or 35 ms, whichever is larger

Reset Time: 35 ms

Power on Response: 35 ms

Operating Temperature: +32° to +140°F (0° to +60°C)

Output Rating: 7 amp, 10-240 VAC resistive

Vibration: Unit function is unaffected by 2.5G sinusoidal vibration magnitude in both directions of the perpendicular mounting axes imposed from 20 to 100 Hz

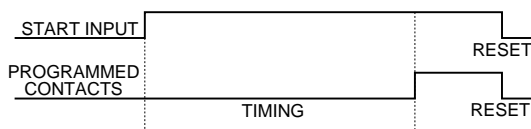
Static Discharge: Unit function is unaffected by a constant 3600 volt peak, 60 Hz discharge applied to the front plate at a relative humidity of less than 25%

Transient Protection: Immune to 2500 volts peak transients up to 50 microseconds in duration

OUTPUT OPERATING MODES

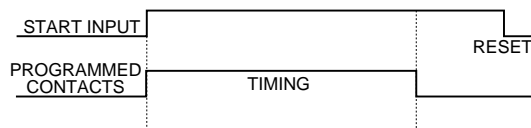
ON-Delay Operation

The contacts are energized at the end of the timing cycle and remain energized until the unit is reset.



Pulse Output Operation

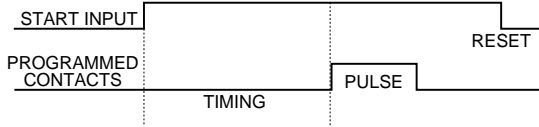
The contacts are energized at the end of the timing cycle for a 100 millisecond pulse output.



OUTPUT OPERATING MODES CONT.

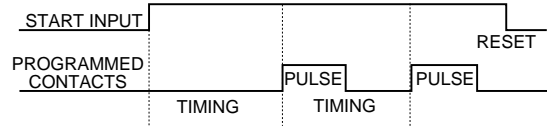
Interval Operation

The contacts are energized during the timing cycle and deenergized at the end of the cycle.

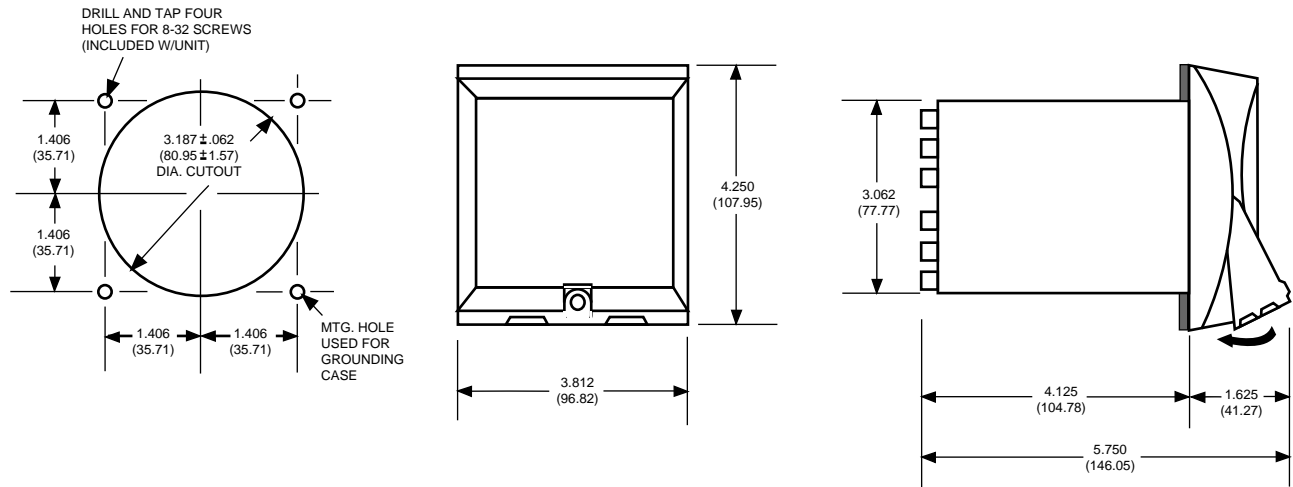


Pulse and Repeat Operation

The contacts are energized at the end of the timing cycle for a 100 millisecond pulse. At the same time that the cycle is completed and the pulse output begins, the timing cycle resets and begins again. This repeat operation continues as long as the start circuit is energized.



MOUNTING



ENCLOSURES

| Model No. | NEMA Class | Description |
|-----------|------------|--|
| HN308 | 1 | Surface Mtg. with terminal block |
| HN364 | 1 | Surface Mtg. without terminal block |
| HN368 | 1A | Dual unit cabinet with 9 position terminal block, timer housings, and DPST toggle switch |
| HN370 | 1A | Dual unit cabinet less unit cases and toggle switch, with 9 terminal block |

ACCESSORIES

| Model No. | Description |
|-----------|--|
| H-5331 | Mounting Brackets 2 req'd per timer |
| HP50-31 | One Hole Mounting Ring |
| HP50-133 | Surface Mounting Adapter to use in place of brackets |
| CT500-27 | Dust Cover |

ORDERING INFORMATION

| TYPE | | CT53 | 0 | A6 | VOLTAGE & FREQUENCY | |
|------|-----------------|------|---|----|---------------------|-------------------|
| Sym. | Description | | | | Sym. | Description |
| 0 | Without Readout | | | | A6 | 120 VAC, 50/60 Hz |
| 1 | 4 Digit Readout | | | | B6 | 240 VAC, 50/60 Hz |