



**Continuously runs  
cycles with  
independently  
settable on/off ratio**



The CX100 is a solid state repeat cycle timer that will alternately turn an output on and off as long as power is applied to the unit. The CX100 is a microprocessor based timer with digital setting for greater setting accuracy than can be achieved with analog style repeat cycle timers. In addition to its greater setting accuracy, the CX100 timer is fully programmable to provide a number of time ranges and operating modes in one unit.

The ON and OFF time ranges are individually programmable for four time ranges from 199.99 seconds to 199 hours and 59 minutes. The CX100 timer is also programmable to have the ON time first instead of the OFF time first and to reset or non-reset on power interruption. The time ranges and the operating characteristics of the unit are programmed using 7 miniature rocker switches located inside the unit housing.

- Housed in standard CYCL-FLEX® enclosure for easier removal, programming changes, and service
- 4 1/2 digit (19999) liquid crystal display - .5 inch high
- Annunciators (right of the display) flash to indicate ON time cycle and are constantly on to indicate OFF time cycle
- Two socket mount 10 amp output relays - one performs ON/OFF cycle switching and the other is a set of instantaneous contacts that energize when power is applied to the start input and do not deenergize until power is disconnected from the start input
- Time inhibit input allows timing function to be stopped without resetting the unit

## SPECIFICATIONS

### Time Ranges:

Maximum Range	Minimum Setting
199.99 Sec.	.01 Sec.
1999.9 Sec.	.1 Sec.
199 Min.: 59 Sec.	1 Sec.
199 Hr.: 59 Min.	1 Min.

### Operating Voltage/Frequency:

A6 - 120 VAC, 50/60 Hz  
B6 - 240 VAC, 50/60 Hz

**Setting Accuracy:** ±0.05% or 50 ms, whichever is larger (0° to 60°C)

**Repeat Accuracy:** ±0.001% of setting or 35 ms, whichever is larger (0° to 60°C)

**Reset Time:** 30 ms following voltage removal from simulated clutch input (CR1)

**Power on Response:** 300 ms maximum after voltage applied to terminal 11

**Operating Temperature:** +32° to +140°F (0° to +60°C)

**Output Rating:** Relay: 10 amp (resistive), 120 VAC  
Mechanical Life: 20 million operations  
Electrical Life: contingent upon controlled load

**Vibration:** Unit function is unaffected by 2.5G sinusoidal vibration magnitude in both directions of the perpendicular mounting axes imposed from 10 to 100 Hz

**Static Discharge:** Unit function is unaffected by a constant 3600 volt peak, 60 Hz discharge applied to the grounded front plate at a relative humidity of less than 25%

**Battery Life:** The CX uses a lithium battery with an expected life of 10 years

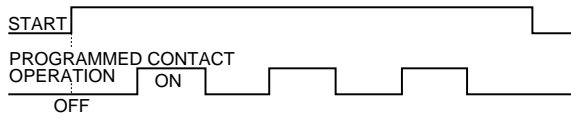
**Agency Approvals:** UL Recognition E96337  
CSA Certification LR26861

# EAGLE SIGNAL brand

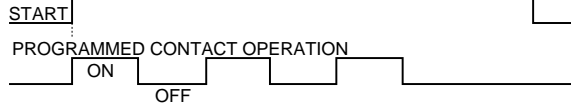
Electronic Timers

## OUTPUT OPERATING MODES

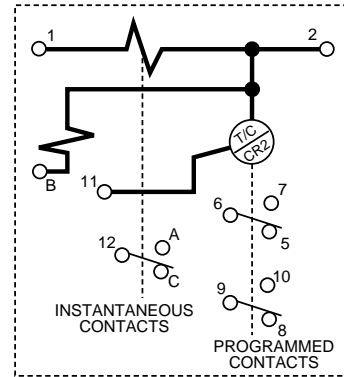
### OFF Time First/Repeat Cycle Operation



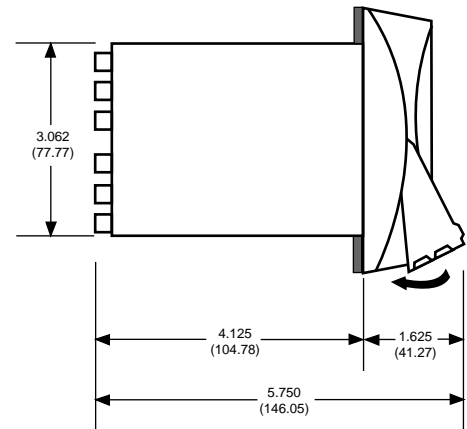
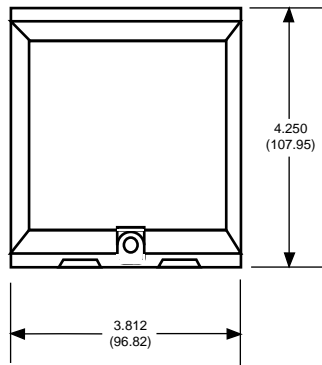
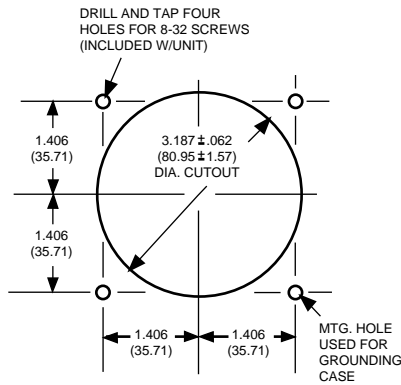
### ON Time First/Repeat Cycle Operation



## CX100 TERMINAL ASSIGNMENTS



## MOUNTING



## ENCLOSURES

Model No.	NEMA Class	Description
HN308	1	Surface Mtg. with terminal block
HN364	1	Surface Mtg. without terminal block
HN370	1A	Dual unit cabinet less unit cases and toggle switch, with 9 terminal block

## ACCESSORIES

Model No.	Description
H-5331	Mounting Brackets 2 req'd per timer
HP50-31	One Hole Mounting Ring
HP50-131	CYCL-FLEX Water-Sealed Housing provides NEMA 4 Hosedown rating for CX series timers/counters
HP50-133	Surface Mounting Adapter to use in place of brackets

## ORDERING INFORMATION

OUTPUT TYPE		CX1	00	A6	VOLTAGE & FREQUENCY	
Sym.	Description				Sym.	Description
00	10 amp Relay Output				A6	120 VAC, 50/60 Hz
					B6	240 VAC, 50/60 Hz