



Two independent interval timers in a compact package... can start simultaneously or in sequence

The SX460 is a dual output timer with two independently programmable, timing interval setpoints. The two outputs can be programmed to operate either simultaneously or in sequence, providing the equivalent operation of two interval timers. The sequential output operation can also be used to provide repeat cycle timer operation.

The SX460 has eight programmable time ranges. Time ranges from 99.99 seconds to 999.9 hours are available to allow the use of one unit in many applications. Easy to use minute: second and hour: minute ranges are also available.

The SX460 is housed in a standard DIN case (68mm square cutout). The case and front bezel require minimal panel space yet provide easy to use programming keys and an easy to read .36 inch LED display.

The four operating modes and the eight time ranges are programmed using rocker switches on the back of the unit. This programming method provides both simplicity and security. The front panel display has a prompted programming routine that shows the user how to program the setpoints.

Some of the other features of the SX460 timer include:

- NEMA 4 Hosedown Test rated
- Two 5 amp SPDT relay outputs
- Four output operating modes
- Eight time ranges
- Time inhibit input
- LED indicators for output status
- Setpoint to zero or zero to setpoint cycle progress indication
- Front panel and remote reset inputs
- Keypad lock function
- Nonvolatile memory (NOVRAM) for program and data retention
- Removable terminal blocks for wiring connections
- +12 VDC, 75 milliamp sensor power supply

SPECIFICATIONS

Time Ranges:

Sym.	Maximum Range	Minimum Setting
1	99.99 Sec.	.01 Sec.
2	999.9 Sec.	.1 Sec.
3	99.99 Min.	.01 Min.
4	999.9 Min.	.1 Min.
5	99.99 Hr.	.01 Hr.
6	999.9 Hr.	.1 Hr.
7	99 Min.: 59 Sec.	1 Sec.
8	99 Hr.: 59 Min.	1 Min.

Operating Voltage/Frequency: A6 - 120 VAC, 50/60 Hz
B6 - 240 VAC, 50/60 Hz

Setting Accuracy: ±0.05% of setting or 50 ms, whichever is larger

Repeat Accuracy: ±0.001% of setting or 35 ms, whichever is larger

Reset Time: 15 ms

Power on Response: 200 ms max.

Operating Temperature: +32° to +122°F (0° to +50°C)

Sensor Power Supply: +12 VDC, 75 milliamps

Output Rating: Relay: 5 amp (resistive), 10 to 264 VAC

Vibration: Unit function is unaffected by 2.5G sinusoidal vibration magnitude in both directions of the perpendicular mounting axes imposed from 10 to 100 Hz

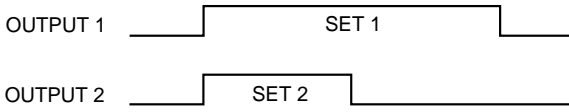
Static Discharge: Unit function is unaffected by a constant 3600 volt peak, 60 Hz discharge applied to the grounded front plate at a relative humidity of less than 25%

Transient Protection: Immune to 2500 volts peak transients up to 50 microseconds in duration

OUTPUT OPERATING MODES

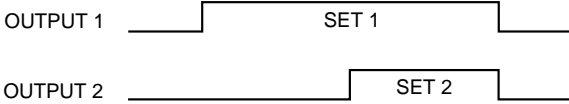
Simultaneous Intervals, Beginning Together

Both outputs are energized together. They have separately programmable timing intervals.



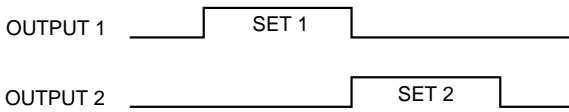
Simultaneous Intervals, Ending Together

Output 1 is energized first. The setpoint for Output 2 determines how long before the end of the Output 1 interval that Output 2 is energized.



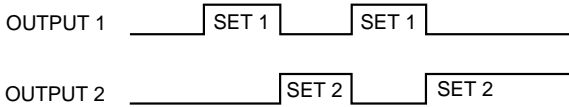
Sequential Intervals

The timing interval for Output 1 is followed by the timing interval for Output 2.

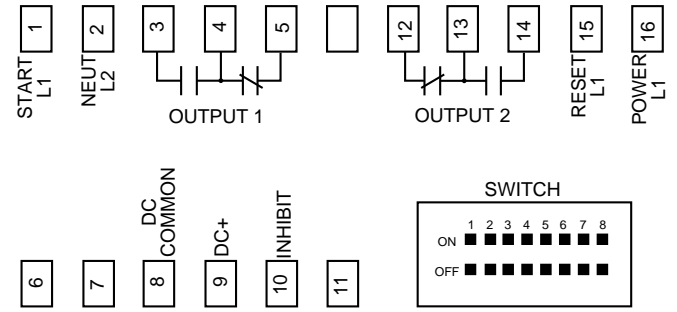


Repeating Sequential Intervals

The timing interval for Output 1 is followed by the timing interval for Output 2. After the timing interval for Output 2, the timing interval for Output 1 begins again and the cycle repeats.

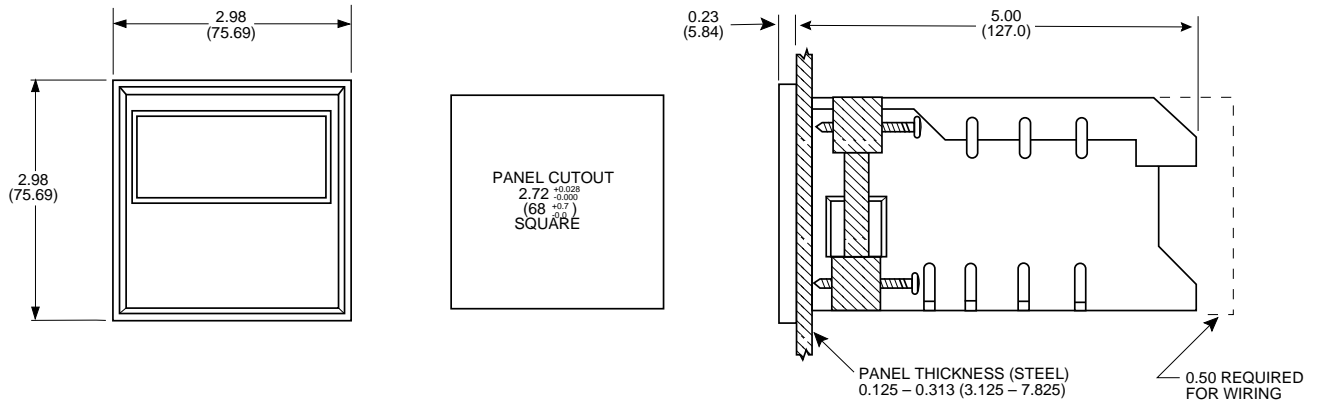


TERMINAL ASSIGNMENTS



MOUNTING

The SX460 timer uses two removable mounting clips with adjustable screws to mount the enclosure in a panel as shown below.



ORDERING INFORMATION

OUTPUT TYPE		VOLTAGE & FREQUENCY	
Sym.	Description	Sym.	Description
60	Relay Output	A6	120 VAC, 50/60 Hz
		B6	240 VAC, 50/60 Hz